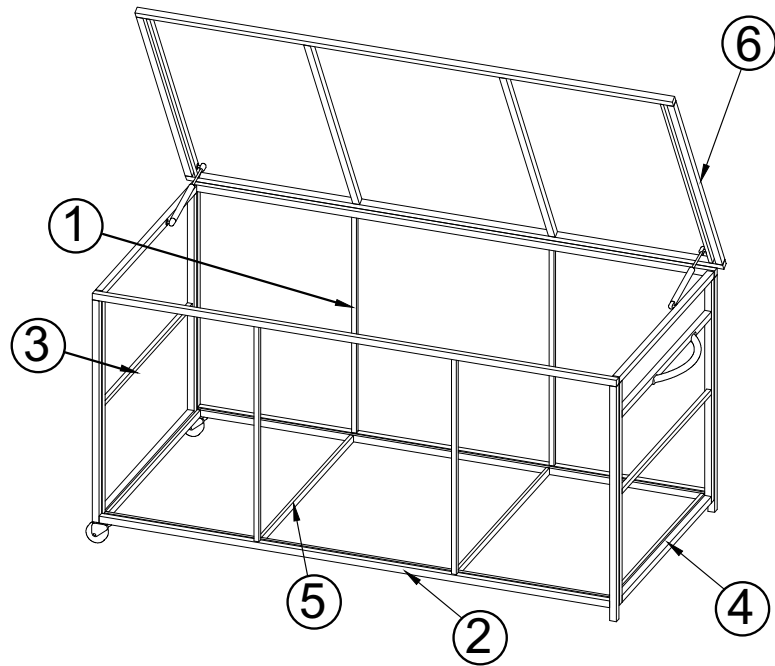
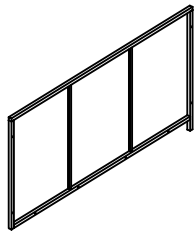


IMPORTANT NOTE:

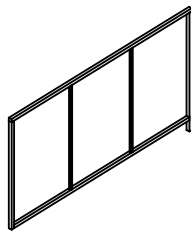
Do not tighten all screws/bolts until all completely assembled.
Thank you.



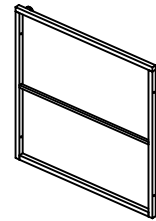
① x1 PCE



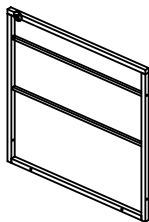
② x1 PCE



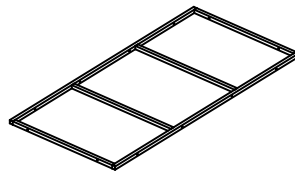
③ x1 PCE



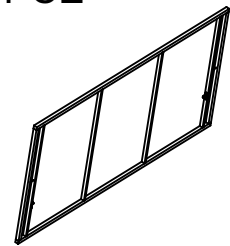
④ x1 PCE



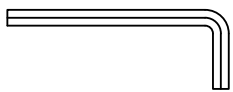
⑤ x1 PCE



⑥ x1 PCE

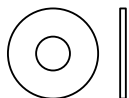


A x1 PCE



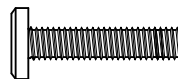
Alenkey 4x90mm

B x32 PCS



Ø6 x16mm

C x18 PCS



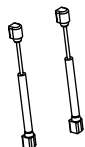
M6 x 35mm

D x14 PCS



M6 x 15mm

E x1 PCS



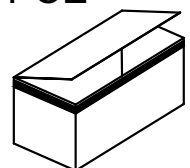
F x1 PCE



G x2 PCS



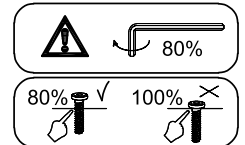
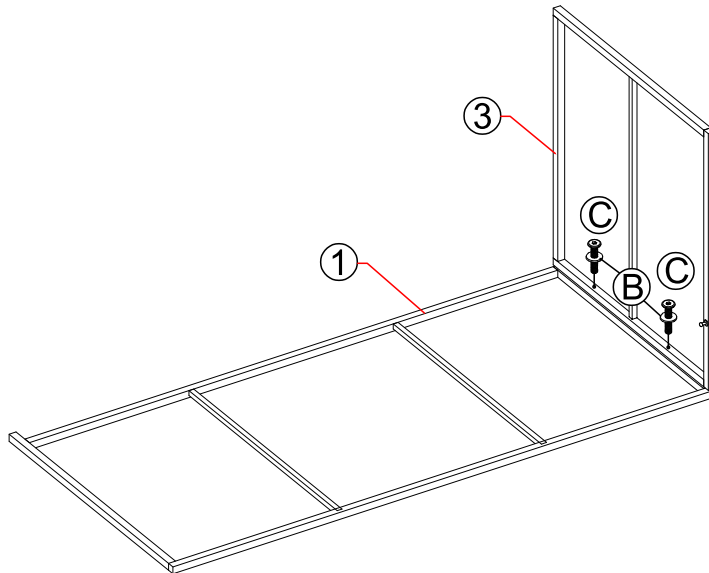
H x1 PCE



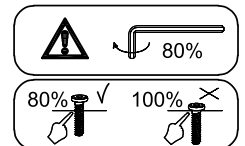
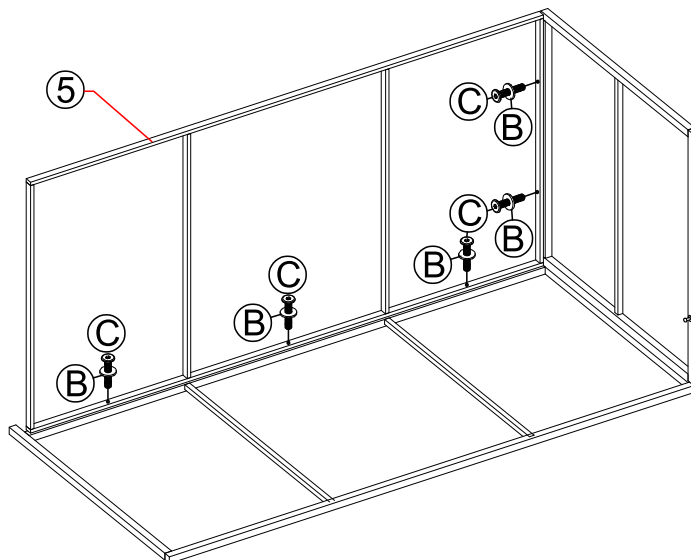
IMPORTANT NOTE:

Do not tighten all screws/bolts until all completely assembled.
Thank you.

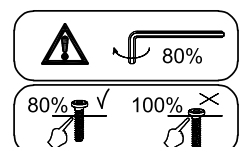
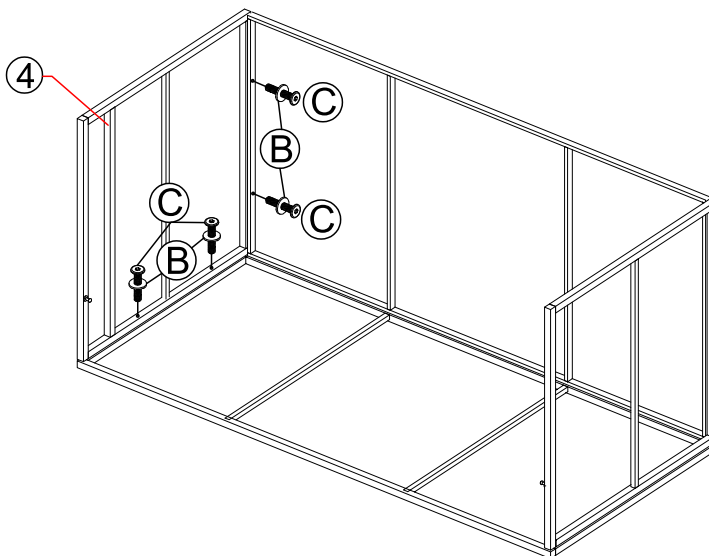
STEP 1



STEP 2



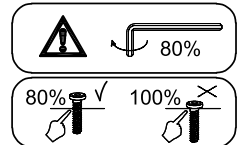
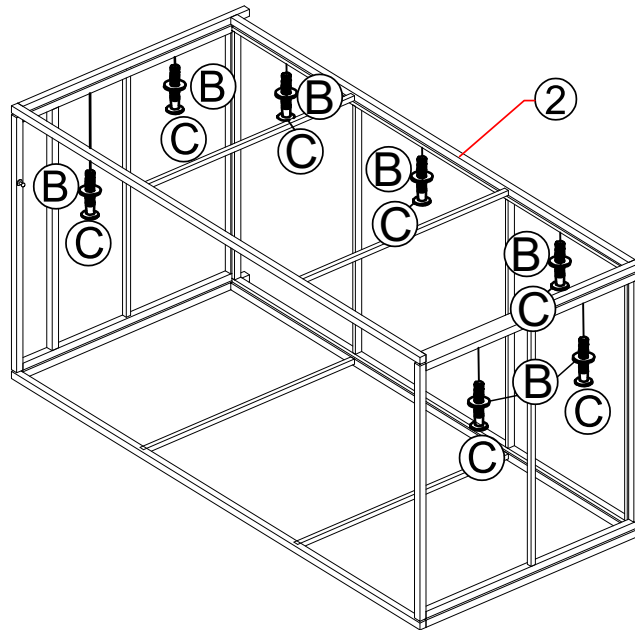
STEP 3



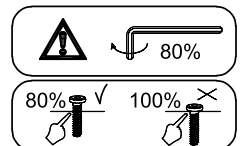
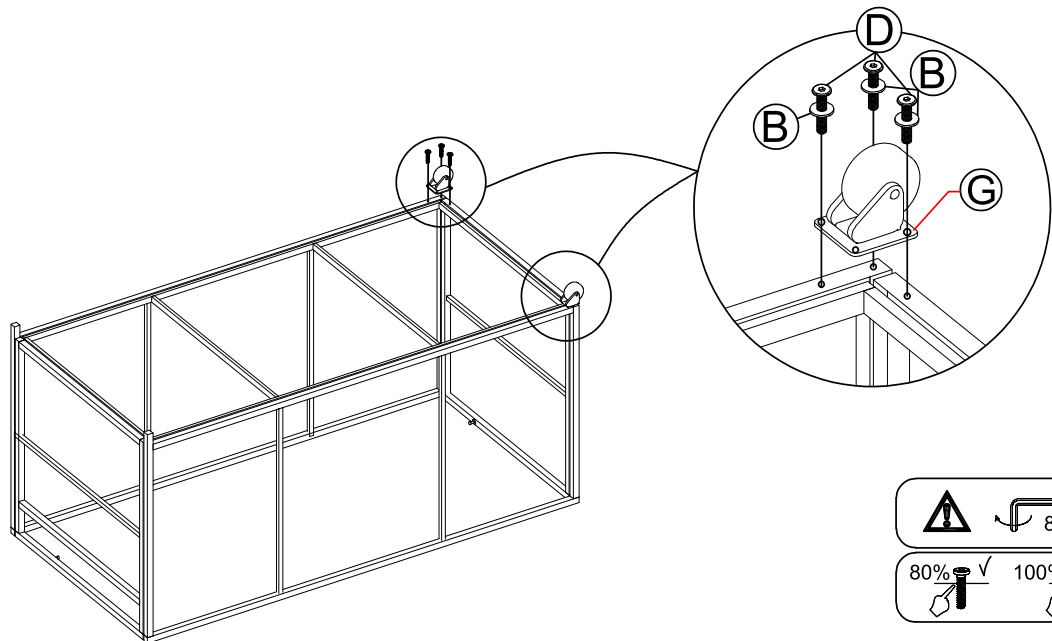
IMPORTANT NOTE:

Do not tighten all screws/bolts until all completely assembled.
Thank you.

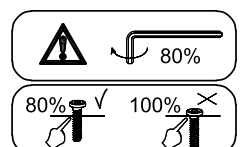
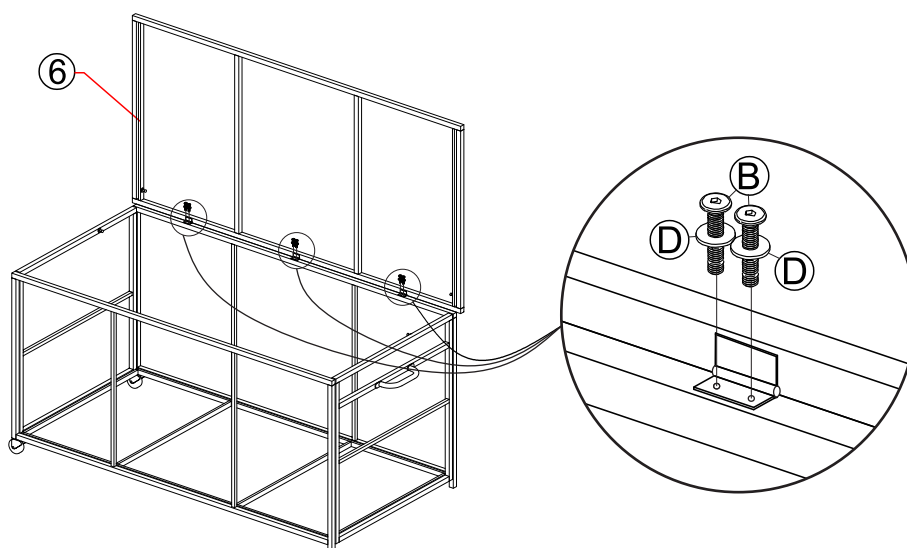
STEP 4



STEP 5



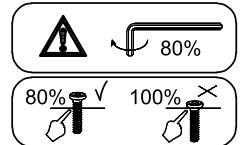
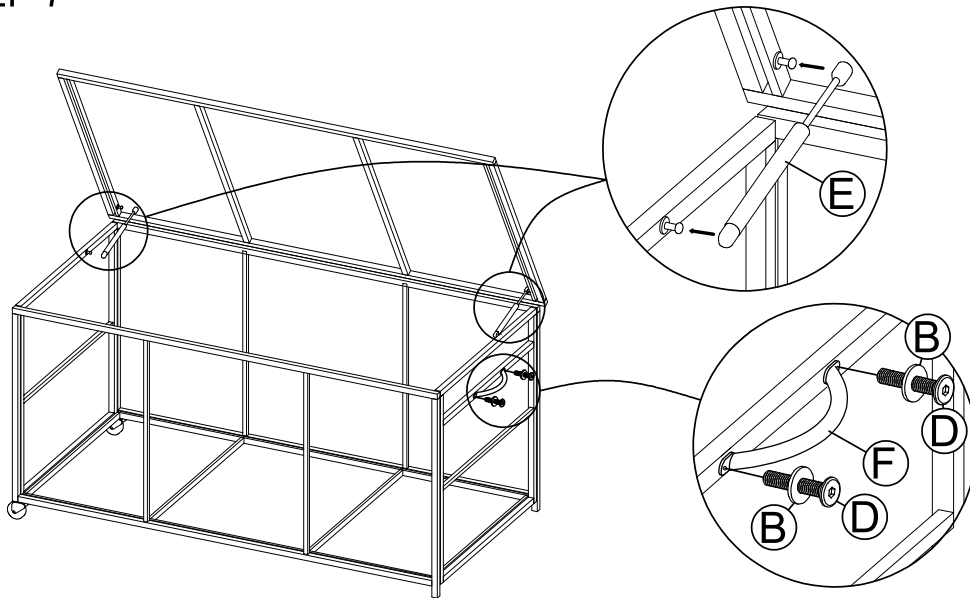
STEP 6



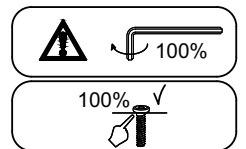
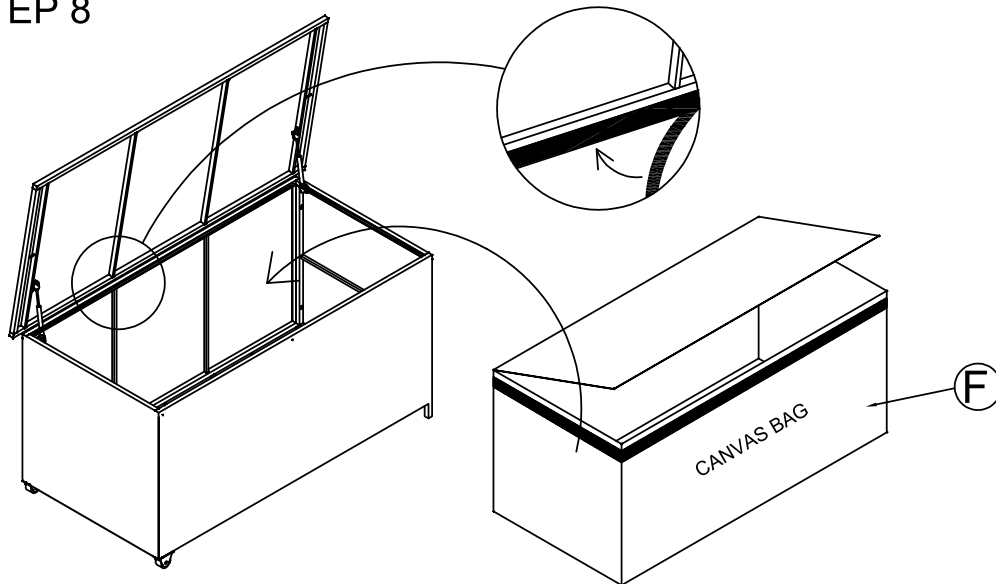
IMPORTANT NOTE:

Do not tighten all screws/bolts until all completely assembled.
Thank you.

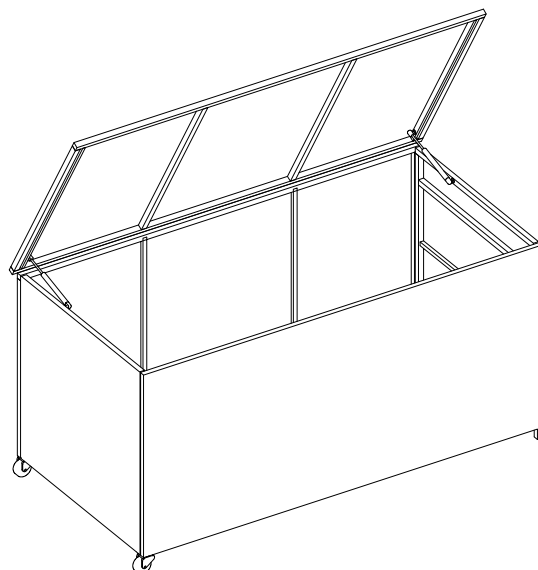
STEP 7



STEP 8



STEP 9



IMPORTANT NOTE:

Do not tighten all screws/bolts until all completely assembled.
Thank you.

Finished